

## Digital Pressure Gauge - Type SPG-DIGI / SPG-DIGI-USB (Data Logger)

A

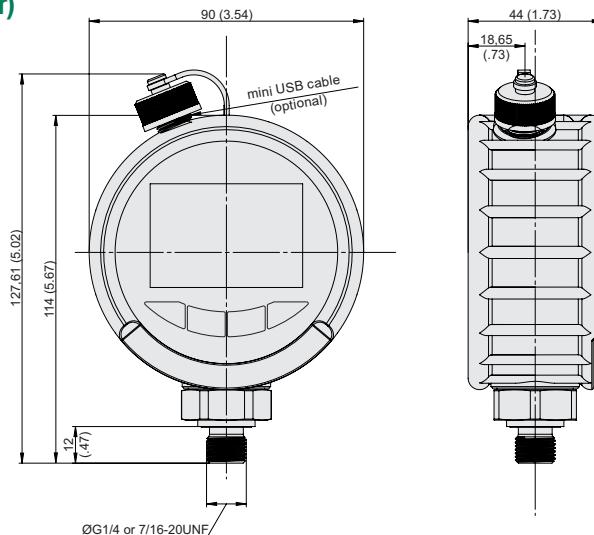
With Data Logger and USB Interface



SPG-DIGI



SPG-DIGI-USB



### Product Description

The STAUFF SPG-DIGI digital pressure gauges are designed for digital measurement and display of pressure in hydraulic systems, especially for oils, lubricants and water. Current measured values as well as min and max values can be displayed with a precision of 0.5% of the full scale value.

The SPG-DIGI is optionally available in the USB version, equipped with an internal data memory. A measurement started on the measuring device is automatically stored in the internal data memory in the universal .csv file format. The measurement data can then be transferred to the PC using the supplied mini USB cable. The device shows up on the PC as a USB data storage medium, so that no additional software is required for transferring the data. This allows easy export of the data, e.g. into Microsoft Excel®.

The measurement data are stored in the internal memory with a resolution of up to 100 ms for short measurements and a pressure peak monitoring of 10 ms. Up to ten measurement series can be stored in the device. The maximum measurement duration for each measurement is 24 h.

The STAUFF SPG-DIGI digital pressure gauges are available individually or as part of a complete pressure test kit. They are very robust, reliable, easy to operate and bear a CE mark.

### Features

- Bar graph display (drag pointer)
- Backlit display
- Zero point correction
- Battery status indicator
- Gauge ability to swivel 360°

### Technical Data (for SPG-DIGI-USB)

- Internal memory: 10 measurement series
- Measurement data lengths: max. 24 h
- Memory interval: up to 100 ms (increases with duration of measurement)
- Pressure peak detection min/max: 10 ms
- Date type: Date/time/pressure value/ min. pressure/max. pressure
- Data format: CSV

A USB connecting cable is supplied as a standard.

### Ordering key



#### ① Series and Type

Digital Pressure Gauge	<b>SPG-DIGI</b>
Digital Pressure Gauge USB	<b>SPG-DIGI-USB</b>

#### ② Pressure Ranges

-1 ... 5 bar / -14.5 ... 72 PSI	<b>B0005</b>
-1 ... 16 bar / -14.5 ... 232 PSI	<b>B0016</b>
0 ... 100 bar / 0 ... 1450 PSI	<b>B0100</b>
0 ... 400 bar / 0 ... 5801 PSI	<b>B0400</b>
0 ... 600 bar / 0 ... 8702 PSI	<b>B0600</b>
0 ... 1000 bar / 0 ... 14504 PSI	<b>B1000</b>

#### ③ Process Connection

G1/4	<b>B</b>
7/16-20 UNF	<b>U</b>

#### ④ Calibration

without calibration certificate	<b>(none)</b>
with calibration certificate	<b>CAL</b>

### Pressure Ranges

Version	Pressure Range (bar/psi)	Maximum Pressure (bar/psi)	Burst Pressure (bar/psi)
<b>B0005</b>	-1 ... 5	30	50
	-14.5 ... 72	435	725
<b>B0016</b>	-1 ... 16	32	160
	-14.5 ... 232	464	2321
<b>B0100</b>	0 ... 100	200	800
	0 ... 1450	2900	11603
<b>B0400</b>	0 ... 400	800	1700
	0 ... 5801	11603	24656
<b>B0600</b>	0 ... 600	1200	2400
	0 ... 8702	17404	31908
<b>B1000</b>	0 ... 1000	1500	2500
	0 ... 14504	0 ... 21756	0 ... 36259

### Technical Data

#### Materials

- Housing made of die-cast Zinc with TPE
- Wetted parts: Stainless Steel 1.4404, NBR (Buna-N®), ceramics
- Seals: NBR (Buna-N®) FKM (Viton®) or EPDM on request

#### Weight

- Max. weight: 360 g / .79 lbs

#### Display

- Text display 4 1/2 digits
- Size: 50 x 34 mm / 1.97 x 1.34 in
- Actual value display: 15 mm / .59 in
- MIN/MAX or FS\* display: 8 mm / .31 in
- Units: bar, PSI, Mpa, kPa, mbar
- Pressure peak measurement with 10 ms sampling rate
- Illuminated measured value display

#### Accuracy

- ±0.25% FS\* typ. / ±0.5% FS\* max.
- Resolution: 4096 steps

#### Permissible Temperature ranges

- Ambient temp.: -10 °C ... +50 °C / +14 °F ... +122 °F
- Media temp.: -20 °C ... +80 °C / -4 °F ... +176 °F
- Storage temp.: -20 °C ... +60 °C / -4 °F ... +140 °F
- Relative humidity: < 85%
- Battery life: max. 600 hours (operation without illumination, 2 x 1.5 V DC AA (LR6-AA) alkaline)

#### Process Connections

- G1/4 or 7/16-20 UNF, Stainless Steel 1.4404
- Vibration: IEC 60068-2-6 / 10 ... 500 Hz / 5 g
- Shock: IEC 60068-2-27 / 11 ms / 25 g
- Load change (10°): 100

#### Protection Rating

- IP 65: Dust-tight and protected against water jets (SPG-DIGI-USB: IP65 only with cover installed)

\* FS = Full Scale



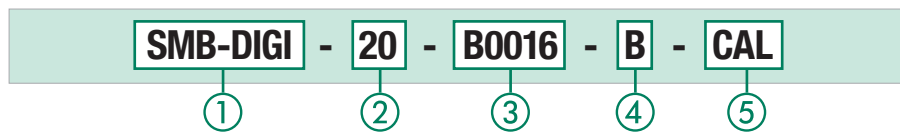
## Pressure Test Kit (digital) ▪ Type SMB-DIGI

A



Digital Pressure Test Kit (SPG-DIGI-USB)

## Order Codes



## ① Series and Type

Pressure Test Kit, digital pressure gauge	<b>SMB-DIGI</b>
Digital Pressure Gauge USB	<b>SMB-DIGI-USB</b>

## ② Adaptor Version

Adapts to STAUFF Test 20 (M16 x 2)	<b>20</b>
------------------------------------	-----------

## ③ Pressure Ranges

-1 ... 5 bar / -14.5 ... 72 PSI	<b>B0005</b>
-1 ... 16 bar / -14.5 ... 232 PSI	<b>B0016</b>
0 ... 100 bar / 0 ... 1450 PSI	<b>B0100</b>
0 ... 400 bar / 0 ... 5801 PSI	<b>B0400</b>
0 ... 600 bar / 0 ... 8702 PSI	<b>B0600</b>

## ④ Process Connection

G1/4	<b>B</b>
7/16-20 UNF	<b>U</b>

## ⑤ Calibration

Without calibration certificate	<b>(none)</b>
With calibration certificate	<b>CAL</b>

## Product Description

In addition to the individual SPG-DIGI devices, the STAUFF Digital Pressure Gauges are also available as part of a pressure test kit.

The SMB-DIGI pressure test kits are assembled in various versions, in accordance with customer wishes. All pressure test kits are supplied in a handy case with custom-designed foam inserts.

## Components

## Standard Option SMB-DIGI-20

- Digital Pressure Gauge SPG-DIGI or SPG-DIGI-USB\*
- Test Hose (2 m / 6.56 ft), M16 x 2, pressure-resistant 600 bar (8702 PSI) SMS-20-2000-B-W3
- Adaptor SDA (G1/4 to M16 x 2) SDA-20-G1/4-W3
- Hose Connector SSV-20-W3
- Test Coupling SMK-20-G1/4-B-C-W3
- Test Coupling SMK-20-M10x1-B-A-W3
- Thread Adaptor SRS-20-G3/8-B-W3
- Thread Adaptor SRS-20-G1/2-B-W3
- Operating manual (multilingual) on CD
- \*Supplied with a mini USB connecting cable

## Pressure Ranges

Version	Pressure Range (bar/PSI)	Maximum Pressure (bar/PSI)	Burst Pressure (bar/PSI)
B0005	-1 ... 5	30	50
	-14.5 ... 72	435	725
B0016	-1 ... 16	32	160
	-14.5 ... 232	464	2321
B0100	0 ... 100	200	800
	0 ... 1450	2900	11603
B0400	0 ... 400	800	1700
	0 ... 5801	11603	24656
B0600	0 ... 600	1200	2400
	0 ... 8702	17404	31908

## Accessories (Connection Adaptors)

Adaptor	Adaption from	to Dimension G
SDA-20-G1/4-W3	G1/4	M16 x 2
SDA-15-G1/4-W3	G1/4	M16 x 1,5
SDA-12-G1/4-W3	G1/4	S12,65 x 1,5
SAD-20/15-B-W3	M16 x 2	M16 x 1,5
SAD-20/12-B-W3	M16 x 2	S12,65 x 1,5
SAD-20/10-B-W3	M16 x 2	Plug-in system

SDA adaptor  
Connects the pressure gauge to a test coupling (Max. Pressure 630 bar / 9137 PSI)

SAD adaptor  
Only in conjunction with the SDA-20-G1/4-W3 adaptor, connects to other test coupling sizes (Max. Pressure 630 bar / 9137 PSI)

Test coupling  
STAUFF Test or comparable (Max. Pressure 630 bar / 9137 PSI)

Other adaptors are available.

